

MAPS Digest



Volume 4 Number 8

Summer, 1981

Official Publication of
Mid-America Paleontology Society

PRESIDENT'S MESSAGE

At this time I would like to thank on behalf of all MAPS members, the special people who helped to make EXPO III a huge success. Chairman Gil Norris and Co-Chair Cheryl DeRosear characterized through their work, and through the work of all EXPO committee members, the true nature of MAPS; they were all hard working and unselfish in their service to the Society. Many others assisted in the smooth running EXPO III: Al Adams on registration, Alberta Cray with membership and dues. Bob Kenyon who painted our signs, Wallace Harris who secured our space and tables in an emergency and our auction team of Carol Ann and Glen Osterberger, Sheryl Caponera, Dennis Kingery, Bud Cray, and Gerry Norris to name only a few. Everyone in attendance deserves thanks also for making our third EXPO a great success.

After attending the membership meeting in Macomb, or after reading the minutes from that meeting, members realized that MAPS is clearly entering into a transitory stage in its evolution. The study the recommendations, and the vote concerning affiliation with the MWF all characterized a new spirit emerging from our members all around the country. In the "Report of the Constitutional Amendment Committee" some very important points were noted and some clear recommendations were made. The vote on the amendment

fell short of disaffiliating ourselves from the MWF, but a strong mandate was sounded.

First, MAPS leadership must carefully look at the seven recommendations in the
(continued page 2)

MARK YOUR CALENDARS.

- | | |
|---------|---------------------------------------|
| 4 June | Rocky Mountain/AFMS Show |
| 7 | Salt Lake City, UT |
| 26 June | Eastern Federation Show |
| 28 | Lexington, KY |
| 23 July | MAPS JULY MEETING |
| 26 | Saturday, 25 July--1:00 p.m. |
| | Midwest Federation Show |
| | South Bend, IN |
| 31 July | MAPS AUGUST MEETING |
| 3 Aug | Saturday, 1 August--1:00 p.m. |
| | Bedford Swap--Bedford, IN |
| 7 Aug | California Regional |
| 9 | Anaheim, CA |
| 21 Aug | Northwest Regional |
| 23 | Kent, Washington |
| 5 Sept | MAPS FIELD TRIP, SEPT. MEETING |
| 7 | Indiana Ord., Sil., Dev., Penn. |
| | Page 5 details and reservation |
| 3 Oct. | MAPS FIELD TRIP, OCT. MEETING |
| | Ottawa, IL -- See Sept. <u>Digest</u> |
| | ***** |

MINUTES OF THE MEETING

The Annual Expo Meeting was called to order with a welcome by Paul Caponera, President.

Alberta Cray reported that prior to EXPO III MAPS assets amounted to \$1,487.57.

Dick Johannesen reported that the group who viewed the new education Echinoid Slide Program agreed that it had merit and needed final touches.

Members coming farthest for Expo III, 2 from Arizona, 4 from California, and one from Portugal.

On behalf of the officers and MAPS Board of Directors, Pres. Caponera presented a plaque to each of our past presidents in recognition of their services over the years in the founding and building of the organization. Those honored were Dick Johannesen, Gil Norris, and Don Good. (Jo Ann Good accepted in his stead.)

Dennis Kingery moved that an Annual MAPS service Award be created to honor an individual for their exceptional work on behalf of the Society during the past year. Gerry Norris seconded the motion, and by unanimous approval of all members present the MAPS Annual Service Award was established.

The first annual MAPS Service Award was presented to Madelynn Lillybeck for her tireless services as MAPS Digest Editor.

After a lengthy discussion the vote on the motion to Repeal Article 10, Section 1 of the Constitution (Affiliation) was not successful. A two-thirds (2/3) majority was necessary.

A motion to adjourn was made and accepted. The LIVE AUCTION was begun immediately.

Respectfully submitted
Paul Caponera
Secretary pro tem

PRESIDENT'S MESSAGE Continued

committee's report and form working task forces on the following topics: a) Membership Services, b) Long Range Growth Plan, 3) Educational Outreach Network, d) Legislation, 3) Public Relations, and

f) MWF Affiliate Services and Advocacy Role.

Secondly, the President has been charged with the task of assessing the feelings of MAPS and similar fossil-only organizations towards the need to refine AFMS and regional federations Rules and Services regarding amateur paleontological study, collecting and exhibiting. Strong interest was voiced for MAPS to take the initiative in bringing together a nationwide Confederation of Amateur Paleontology Organizations as a parallel force to the AFMS which is heavily dominated by mineralogical and lapidary interests. To this end I will be in contact with officers of the MWF, AFMS and all other federations to brief them on our memberships' concerns, the mood of amateur paleontology nationwide, and areas of potential reconciliation. Similarly, I will attempt to contact several fossil-only organizations around the country to learn their feelings and interests, concerns and problems, and viewpoints as to potential steps.

MAPS has within its membership individuals who possess many years of experience as leaders in local, statewide, or federation level paleontology related positions. Though MAPS is only 3 years old, our own human resources span decades of development and growth in amateur paleontology and professional science. MAPS is also unique in that we provide clear opportunity for a direct amateur/professional partnership since each relies upon the other to further mutual goals. We can draw upon our internal pool of "experts" to guide us into our next growth stage.

An opportunity appears to be emerging during which MAPS could rise as the national standard-bearer for amateur/professional paleo study by providing the essential leadership that could draw closely together all "fossil-only" organizations around the country, or world-wide, into a formal confederation respecting local autonomy, but standing as one in service to individual members. We need to spark the fire before we are washed out with the laundry. Within MAPS is the maturity necessary and the energy needed to generate change within or without any other mineralogical/geological federation.

(Concluded page 3)

EXPO III IS NOW HISTORY

People from 20 states and two countries attended Expo 3. At this time I do not have a complete financial report as we have not received a bill for the hall.

I want to give special thanks to my committee heads:

Allyn Adams, Registration
Cheryl DeRosear, Tables
Wallace Harris, Local Arrangements
Doug Johnson, Security
Carol Osterberger, Auction
Bob Kenyon, Signs

and all the other people who helped make Expo 3 the huge success that it was.

It is time to challenge a group of members somewhere in the Midwest to start planning for Expo 6 at a site at least 200 miles from Macomb. If someone is interested, contact me for a realistic site cost to be considered. Let's begin to move Expo at least every year or two.

Gil Norris
Chairman, Expo III

HOT OFF THE PRESS

If you ordered Trilobites of the Chicago Region, the ink is barely dry. Send a check for \$6.00 (\$5.00 plus \$1.00 mailing) to:

Alberta Cray
1125 J Avenue, NW
Cedar Rapids, IA 52405

If you did not order one of these books but you are interested in having one, send your check for \$6.00 to Alberta.

Hurry!! Supply is limited. Little or no chance for this opportunity again. It's a good book!!

WELCOME TEXAS

We look forward to a long, productive association with a paleontological group out of Texas.

HMMMMMMMMM, how would Texas be for a future Expo?

THE EXCHANGE

If you have the fossil requested in this column, please write or call before answering the ad. Ad to appear two times.

Dieter Gebauer, Romerhof 32 D-8940 Memmingen 3 (Amendingen), WEST GERMANY
Wanted to buy: Perfect fossils like trilobites, ferns in nodules from Indiana or Illinois, echinoids, cephalopods, Fox Hill ammonites and any other good and perfect fossils. Write first.

(Ed. comment. Someone out there better write for an exchange by fall or you know what happens, the editor has to start the column rolling and I know just the fossil I want for a fair exchange.)

SEDIMENTARY NOTES

Ken Olson sent a change of address (see page 9) on a beautiful card showing 5 of the 13 displays in paleo that he has done for the Blaine County Museum in Chinook, MT. Another live-wire member!!

Carlos Bazan, TX is already started collecting in preparation of Expo IV.

Rozaline & Hilda, CA arrived safely home after impressing some doubting Thomas's in IA. Even Tom was impressed with their treasures from ancient seas.

PRESIDENT'S MESSAGE, Concluded

It is time to come forward with each member's assistance. I need your comments in writing as soon as possible. I need to know any fossil-only organizations in which you hold membership, or of which you know of; I need to know your written specific concerns with the way MWF or other regional federations treat "fossil" interests and exhibits (please state facts!!); and I need your help in manning one of the soon-to-be established task forces. The Board cannot do all and we need your help immediately. Think also about changing MAPS name to reflect our membership more exactly (a suggestion was Multinational Amateur & Professional Paleontology Society which would be MAPPS).

Respectfully submitted
Paul Caponera, President

THE FUTURE POTENTIAL OF M.A.P.S.

by Harrell L. Strimple
Department of Geology
University of Iowa

The time is obviously right for full development of an organization of amateurs interested in fossils not only in the United States but in other nations as well. The fact that MAPS has attracted membership of academic and professional fossil people demonstrates an interest in and approval by at least some segments of the scientific community. This came as somewhat of a surprise to me so early in the life of the society. You have to understand there is some basic opposition to amateur activity by some people in the scientific community particularly to the sale of fossils, which I will not pursue at this time.

As I see the situation, MAPS has an unlimited potential, the advanced can help the neophyte, the professional can help the advanced, and all can be siphoned into the advancement of knowledge so that everyone can benefit and enjoy the situation. There is absolutely no limit to the impact the organization can have on the science of paleontology which is after all what the study and collecting of fossils is all about.

I think that I am in a position to speak as both an amateur and as a professional. For the first half of my total participation in paleontology I was an amateur and the last half has been as a professional. The total time involved is over 40 years. It just happened that I became involved in the scientific aspect early on and published my first scientific paper in 1938. Nevertheless, I have been, and still am an avid collector and had a very large private collection until about 1961 when I became professional, that is, made my living as a member of the professional community. Even subsequently half of my pay check has been devoted to paleontological matters up until the time of my retirement in 1980. In going through the membership directory it is obvious from such comments as "wishes to increase knowledge of fossil records" that most people involved want to learn more about fossils. The most obvious way to do this is by obtaining the assistance of people who are producing and teaching such knowledge. Most of such people are in the academic world and there are actually quite a few who are willing to be helpful. Some of us are even willing to go to considerable time and effort to help develop serious or advanced collectors. I did not know everyone at Expo III but do know that Dr. Merrill Foster, Geology Department, Bradley University, Peoria, Illinois, Dr. D. H. Collins, Curator, Department of Invertebrate Paleontology, Royal Ontario Museum, Toronto, Canada and Dr. D. G. Mikulic, Illinois State Geological Survey, Urbana, Illinois were present. In addition, T. J. Prest, a Ph.D. candidate and a leading investigator of Paleozoic echinoderms, from the University of Iowa was present and identifying fossils like crazy. (Dr. Merrill Foster also brought two students from Bradley University, Ed. comment.) That alone is a rather impressive array of active paleontologists, particularly considering that an almost international field trip was taking place at the same time in the general area and the Iowa Academy of Science was in session at Coe College in Cedar Rapids, Iowa (I should have been there instead in a committee meeting).

I have always worked closely with selected amateurs and have made myself available more than a few times for talks, etc. For those who are seriously interested in echinoderms there is little that I will not do. Time is sort of precious to me, particularly since my allotted time on earth is considerably less than it was 69 years ago. Nevertheless, I feel that the MAPS organization is potentially important enough to warrant more of my time and effort, so I might as well get on with it.

(Continued next page)

The argument over whether MAPS stays in the Midwest Federation or withdraws from it is to the point of creating a schism in the MAPS organization. Neither MAPS as an organization, nor its individual members can be hurt if the organization withdraws. The majority vote was to withdraw. The subsequent notion to shelve the matter was really out of order. Legally, MAPS can no longer be affiliated unless a new meeting is held and it is voted to reinstate the affiliation. The fossil group is a small minority in the American and/or Midwest Federation and does not really have too much in common with them. Most fossil collectors have far too much to do to get involved in the political aspects of the two Federations but in order to get changes made in those organizations, you would have to develop a very active political group. Even if you did get thoroughly involved, you would still be in the minority and would be dealing with well-entrenched personalities and ideas.

MAPS can serve all of its members with the Digest and the only real contact many members have is through the Digest. It, therefore, follows that the publication is probably the most important function of the organization. Fortunately, it has been in good hands and is being handled quite well indeed. We will see that it gets even better. To insure adequate funds for publication, more memberships are needed, or else an increase in dues might be required. If all present members encourage some one else who might be interested to join the society, then it will continue to grow. Without active recruiting, natural attrition will reduce membership.

The hard core membership of MAPS is in the western section of Illinois and eastern section of Iowa. These are the people who have put together the organization and who will have to take care of most of the duties and the work associated with the operation of the society, the publication of the Digest and the operation of the annual Exposition. There are, of course, facets which can be assumed by others who live in other areas and such help is indispensable. Whenever some satellite group can demonstrate the ability to take over the Exposition in another area, it can, of course, be considered but even then it would probably be better to have an annual Expo in the basic area in the spring and the satellites could have their own expo on other dates, perhaps in the fall or even in the winter. It might be nice to have an excuse to go to New Mexico or Arizona in January or February.

There is one common denominator here, a love of fossils. With me it is more restrictive, I am a fanatic about echinoderms. My suggestion, in fact my plea, is that all other differences be set aside and let us go ahead and carry MAPS through to its logical place in the sun as an independent fossil group.

SEPTEMBER MAPS MEETING -- FIELD TRIP INDIANA

It took a couple phone calls and in store for everyone free Labor Day weekend, September 5, 6, and 7, will be great hunting and great fun with MAPS friends.

In charge of all arrangements is: Hostess Mrs. Margaret Kahrs, R. R. #2
Highway 50 E, Seymour, IN 47274

backed up by Paul Wiley and Jeff Shanks of Indianapolis.

Mark the dates on the calendar NOW, fill out the form found in your Digest and mail it back to Margaret. You'll get finalized details from her in August.

Thanks to John Catalani for a gentle nudge and to the Indiana crowd who promise hunting Waldron Shale blastoids, Napolean cistoids, Dugger ferns, Brookville Ordovician. WOW!! TERRIFIC!! See you in September. Take care-mail to Margaret

BONES OF ANCIENT HORNED REPTILE ARE EXCAVATED IN WESTMINSTER --

submitted by Allen C. Yenerich & Scott

Rocky Mountain News, Denver, Colorado

Mendota, IL 61342

Portions of a triceratops--an early resident of Westminster--have been discovered and excavated in a cooperative effort coordinated by a faculty member at the University of Colorado at Denver.

The Triceratops (tri-CER-a-tops) was a three-horned reptile that flourished about 65 million years ago, at the end of the dinosaur era, roaming in herds like buffaloes.

As large as a modern elephant, it had a parrotlike "beak" and a bony frill, or wide fringe, on its neck. Although it must have looked fierce, it was a vegetarian--the horns were strictly defensive weapons. They protected it from the emphatically carnivorous tyrannosaurus rex--which Martin Lockley of CU, Denver dubs "T-rex."

Lockley said a Metropolitan State College student spotted some ancient-looking bones last fall near a site where triceratops remains had been found a few years ago by a University of Colorado at Boulder team. The student told a friend who was in one of Lockley's classes, and he took the professor to the site.

Lockley invited geology students to help excavate the fossil during the Christmas break. On the advice of CU experts at Boulder, he limited the group to about half a dozen for maximum efficiency....

The volunteers "spent hours picking up little pieces less than an inch long" until vertebrate paleontologists from CU Boulder visited the site and explained what to concentrate on....

While dinosaur fossils are very common on the Western Slope, notably at Dinosaur National Monument, not many have been found in the Denver area. But a quarry in Morrison, starting in 1877, provided some of the great folklore of paleontology in the bitter rivalry there between two experts who he said eventually "hated each other's guts."

Lockley said the Morrison digs had a real Wild West flavor. "They really went to town," he said. "People got killed and supposedly there were pitched battles with spades."

Lockley, 30, came to the UCD faculty last fall from Glasgow University in Scotland. Born in Wales, he studied at the universities of Belfast, Northern Ireland, and Birmingham, England.

BIG MARINE FOSSIL DEPOSIT REPORTED -- submitted by Carlos Bazan, TX

San Diego--Marine fossils millions of years old are turning up in backyards and parks in one of the most widespread deposits of its kind in North America, museum officials say.

Dr. Fred Schram, curator of fossils at the San Diego Natural History Museum, said that within the last month museum researchers have recovered Pliocene Epoch fossils from a dolphin, whale, albatross, cormarant, seacow and walrus as far as seven miles from the ocean....

The Pliocene Epoch lasted from 10 million years B.C. to about 1 million years B.C.

Museum teams are digging at six unidentified locations in a geological layer of rock and sediment called the "San Diego Formation" covering 90% of central San Diego and almost all of National City and Chula Vista, coastal cities to the south.

EASY TO MAKE STORAGE BOXES

by Jim & Sylvia Konecny, Prescott, AZ

We doubt that very many members have the space available to display 100% of their specimens. Therefore, many specimens must be housed in storage cabinets. For years we collected various candy boxes, greeting card boxes, pencil boxes, etc. to house the individual specimens in the cabinet drawers. After a time we found that this system contributed to too much waste space. We therefore decided to investigate the purchasing of uniform size boxes. After getting a price quotation we abandoned the thought. We then came upon the idea of making our own. As the old saying goes "necessity is the mother of invention".

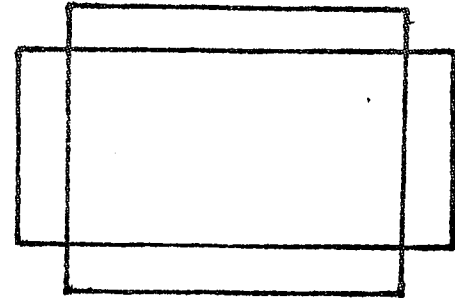


Fig. 1

We start with six-ply or ten-ply paper. This the heavy kind that is used for advertising posters such as political, state fairs, carnivals, rodeos, etc. Printers doing this type of work usually have some of these posters on hand due to over run or errors in printing. Decide on what size you want these boxes to be: naturally, your drawer size will determine the measurements. The drawers of our storage cabinets are approximately 23" wide, 23" deep and 2 1/4" high. Our boxes are approximately 4" long, 2 1/2" wide and 3/4" high. This gives us 6 boxes across and 9 boxes deep. For larger specimens we also make a double size box 4" x 5" and a quadruple size, 5" x 8", for the very large specimens.

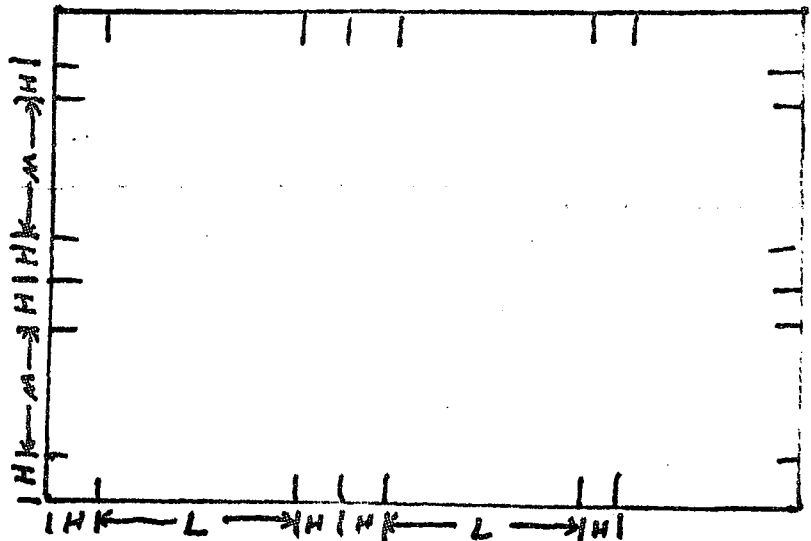


Fig. 2

Simply, a box consists of a bottom and four sides. If these sides are folded down and out the result is a shape such as in Fig. 1. Using this basic design, lay out the size of the boxes on the posters on the side with the printing on it, Fig. 2. With a long straight edge, draw lines across these points, Fig. 3. Unless you luck out you will always have some waste on two sides--shaded area.

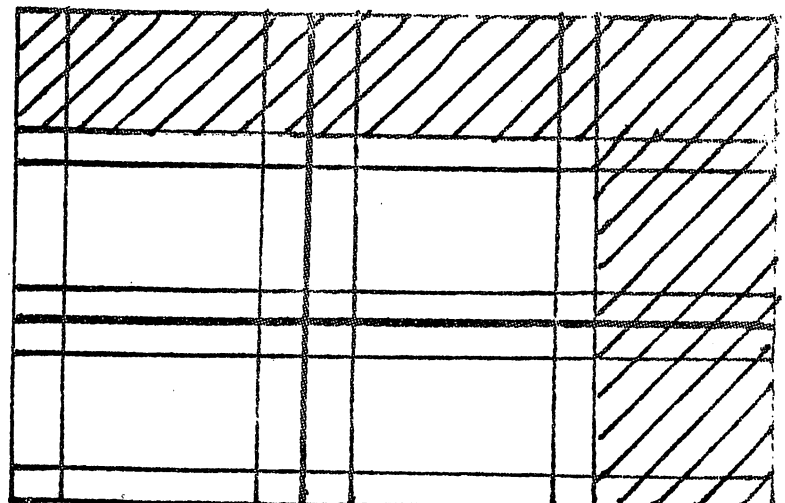


Fig. 3

Next, with a pair of scissors, cut off this waste and also cut along the heavy lines--you now have your boxes in a flattened position--Fig. 4. With a razor blade knife, such as an Exacto or utility knife, scribe along all 4 lines, using a metal straight edge as a guide. Be sure to use a metal straight edge as the knife would cut into a wooden one. Do not apply too much pressure so as not to cut all the way through. With a little practice you will soon learn the proper amount of pressure to apply.

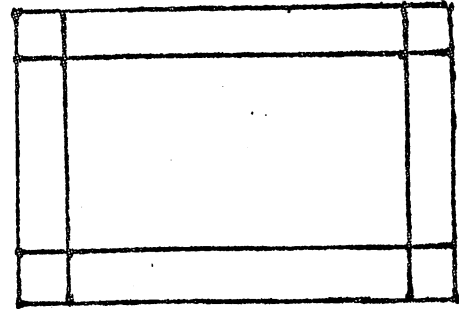


Fig. 4

Next, with a pair of scissors, cut out the small squares, shaded area, in each of the four corners, Fig. 5. The four sides can now be bent upwards, Fig. 6. From a roll of good grade masking tape cut strips about an inch long. We prefer Mystic, but any good grade is mandatory. We once tried a cut rate brand and soon found our boxes coming apart. The height of your boxes will dictate whether you use 1/2" or 3/4" tape. With these strips, using 1 strip per corner, tape up the four corners, Fig. 7.

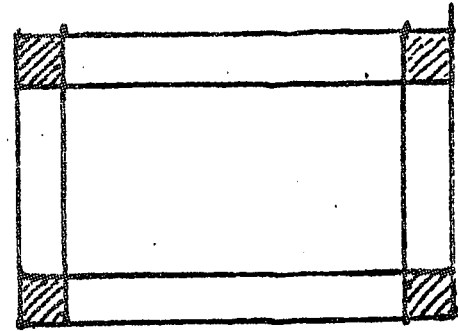


Fig. 5

Your boxes are now finished, unless you would like to go one step further, as we do, and spray them with a flat paint. We lay a large piece (2 1/2' x 3') of corrugated cardboard on 2 saw horses. We then lay out about 30 or 40 boxes, in rows, on this cardboard leaving an inch to an inch and a half space between boxes. We spray the inside and outside of the boxes. We used to spray the underside but since this part of the box is never seen we have now eliminated that process. We wait until one of our variety stores has a sale on "quick-dry spray enamel" and purchase several cans. We prefer a black, but the color is up to the individual.

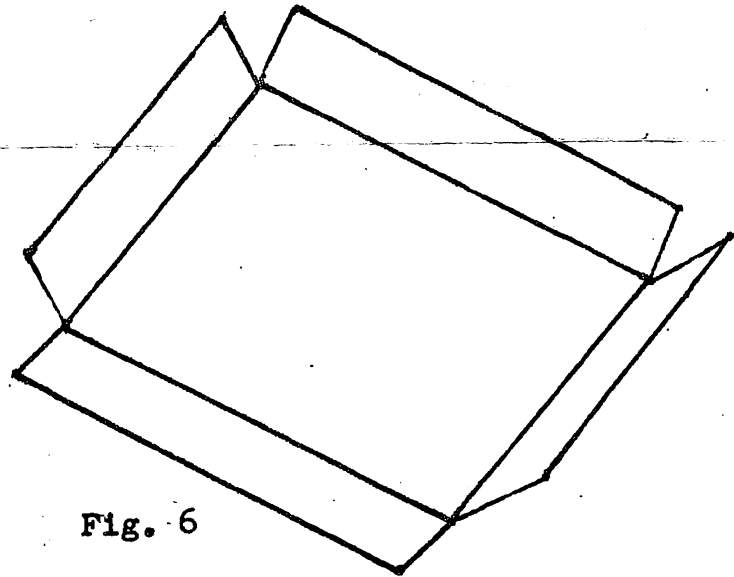


Fig. 6

If you make your boxes on an "assembly line" basis, as we do, it doesn't take long to have a supply ready. While one of us is doing one operation the other one is doing the succeeding operation. We usually do about 100 at a time. Assuming you get the posters free the cost for making your own boxes is slightly over one cent per box.

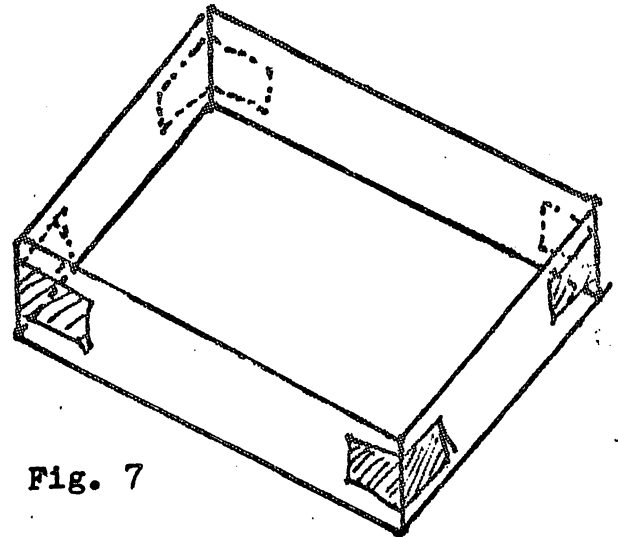


Fig. 7

(Ed. comment. The boxes are sturdy and attractive. One question. Where can one find padding for the bottom if desired?)

THE LAWRENCE COUNTY ROCK CLUB Welcomes You To The Sixteenth BEDFORD INDIANA

ROCK SWAP

AND AUGUST MEETING OF MID AMERICA PALEONTOLOGY SOCIETY (M.A.P.S.)
AT 4-H FAIRGROUND, BEDFORD, INDIANA

On U.S. Hwy. 50 - 7/10 Mile West of Junction Hwys. 37 & 50, South of Bedford

BUYING———SELLING———TRADING

Gems — Jewelry — Gifts — Lapidary Materials
Minerals — Fossils — Artifacts — Rocks — Supplies

JULY 31 - AUGUST 1-2, 1981

CONTINUOUS SILENT AUCTION

FRIDAY

8 a.m. - 10 a.m. Set Up
10 a.m. Swap Opens
8:30 p.m. M.A.P.S. Program
10 p.m. Close for Day

SATURDAY

8 a.m. Swap Opens
1:00 p.m. M.A.P.S. Meeting
2:30 p.m. . . Door Prize Drawings
7 p.m. Live Auction
10 p.m. Close for Day

SUNDAY

8 a.m. Swap Opens
1 p.m. Door prize Drawing
3 p.m. .. Swap closed until 1982

**FREE
ADMISSION**

**CAMPING
\$4.00 per night**

**BRING YOUR OWN TABLE
INSIDE SPACE LIMITED TO 8 FT. LENGTH
PER FAMILY**

**FOOD SERVICE
ON GROUNDS**

**NO RESERVATION
NEEDED**

**FREE
ADMISSION**

**Plenty of Hotels and
Motels Available**

ROCKHOUNDS ARE URGED TO DONATE A QUALITY SPECIMEN SUITABLE FOR THEIR OWN
COLLECTIONS TO THE AUCTIONS TO HELP DEFRAY EXPENSES.

**For Further Information Contact the Swap Chairman
RUSS HOUGHIN**

**8416 ELLSWORTH PL. MERRILLVILLE, IND. 46410
PHONE (219) 769-5609**

RUSS HOUCHIN
8416 ELLSWORTH PL.
MERRILLVILLE, IND. 46410

Mercedes Eisele
764 N. 74th St.
Omaha, NE 68114
402-393-2573

George & Phyllis Bobeck
102 N. Glendale
Barrington, IL 60010
312-381-7144

Paul F. & Viola R. Flamm
1410 Fairidge Drive
Kingsport, TN 37664

Bruce & Charlotte Gibson
10047 Lakeside Dr.
Cincinnati, OH 45231
513-522-2515

Mr. & Mrs. C. D. Homan
Rt. 1, Box 95
Oglesby, Texas 7651
-456-2218

David & Jean Hutchison & Family
1506 Holly Lane
Munster, IN 46321
219-838-8599

George & Peggy Hutson
810 N. Main St.
Abingdon, IL 61410

Larry E. Johnson
425 South 1st Ave.
Canton, IL 61520
-647-3405

George & Francine Koldoff
347 Circle P Drive
Prescott, Arizona 86301
-778-9546

Dr. N. Gary Lane
Indiana University
Department of Geology
1005 East 10th St.
Bloomington, IN 47405
812

Donald G. & Joanne Lynn Mikulic
Illinois State Geological Survey
Natural Resources Building
Champaign, IL 61820
217-344-1481

Gladys L. Mohler
5345 - N. 26th Street
Omaha, Nebr. 6811

David P Letasi
109 Scott St.
Monroe, MI 48161
313-243-1751

Collecting 30 years. Housewife
Maybe trade later. Invertebrates
Wants to learn about fossils and
experiences of others.

Collecting 6 years. Lawyer. Will trade. Inter-
ested in Mazon Creek, dinosaur bones, crinoids and
trilobites. (brother and sister)

Student (Geology) All fossils
mainly trilobites. Been col-
lecting all his life.

Collecting 14 years. Toxicologist with Proctor &
Gamble. Will trade. Interested in Echinoderms &
trilobites. Ordovician brachiopods, trilobites,
bryozoa, corals, gastropods, crinoids, Silurian
cystoids for trade

Retired, collecting 22 yrs. Will
trade. Interested many fossils
has many for trade (No room)

Collecting 12 years. Chemist. Will trade. Inter-
ested in Pennsylvanian fossils, petrified wood, &
vertebrates. Have for trade same as above.

Collecting 25 years. Insurance agent. Have for
trade brachiopods, crinoids, trilobites, Indian
artifacts.

Collecting 15 years. Will trade
Pit 11 for all fossils.

Collecting 32 years. Professor of paleontology.
Willing to share knowledge. Interested especi-
ally in Late Paleozoic crinoids.

Both geologists, collecting 28/
14 yrs. Will trade trilobites for
trilobites, echinoderms, MesO-
zoic reptiles

Billing clerk, collecting 6 yrs.
Interested trilobites, crinoids,
Brachs. wants more knowledge.

Collecting for 25 years. Lapidary Dealer. Will
trade. Interested in vertebrate fossils. Have
for trade anything and everything.

R. Gary Overmyer
534 East 37th Ave., Lot 41
Hobart, IN 46342
219-962-1805

Charles & Susan Piovarchy
P.O. Box 353
Chippewa Lake, OH 44215

Tony B. Raines
1216 - N.W. 91st Street
Oklahoma City, OK 73114

Glenn F. Rockers
P.O. Box 2613
772 Estes Park, Colo. 80517

Howard R. Shanks
1429 Clark
Ames, Iowa 50010
515-232-6301

Gladys M. Spencer
R. 1 Box 95
Topeka, IL 61567
309-535-2140

Mrs. C. J. Spiers & son
4535 Moore Cres
Red Deer, Alberta T4N2M1

Jamey Stout & family
2237 Meadowbrook Dr. S.E.
Cedar Rapids, Iowa 52403
319-365-7798

Harold G. & Jean Thompson
Pennington Route
Blackduck, MN 56630
835-4977

CHANGE OF ADDRESS:

Daniel Keith
171 Maplewood
Riverside, IL 60456

(This name was accidentally omitted from the membership list, sorry.)
Dieter Gebauer
Romerhof 2, D-8940 Memmingen 3
Amendingen, W. GERMANY D-8940
08331-88427

Science teacher. Collecting 14 years. Will trade.
Interested in trilobites, petrified wood, and
Indiana fossils.

Retired, collecting 14 yrs. will
trade. Interested vertebrates &
trilobites.

Self-employed, collecting 20 yrs
Interested in Cambrian trilobite.

Collecting 30 years. Physicist. Will trade.
Interested in Cretaceous fossils and paleobotany.
Have for trade variety of fossil material includ-
ing fossil from Germany.

Collecting 20 years. Retired. Interested in
trilobites and all fossils.

Housewife, collecting 25 years.
Will trade. Interest plants, ver-
tebrates and invertebrates.

Collecting 5 years. Student. Will trade. Inter-
ested in trilobites, crinoids, vertebrates, &
Mazon Creek fossils.

Retired, collecting 15 years.
Will not trade. Interested foss
fish.

Ken Olson, 514 - 6th Ave. N.
Lewistown, Montana 59457
406-538-5082

Collecting 16 years. Export merchant. Will trade.
Interested in Jurassic fossils as well as trilobites
from all over the world. Wants to know and learn
more about our fantastic hobby.

Have a great summer, all you good buddies. Extract many treasures from ancient seas!
Every once in awhile stop to have a cool one with a friend. Love you SL and Maddy



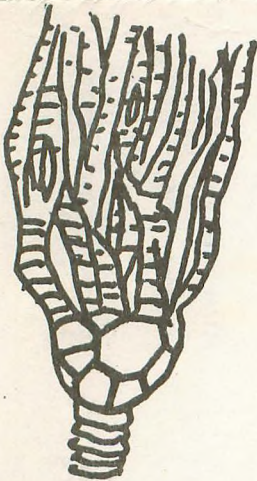
The Mid-America Paleontology Society (MAPS) was formed to promote popular interest in the subject of paleontology, to encourage the proper collecting, study, preparation, and display of fossil material; and to assist other individuals, groups, and institutions interested in the various aspects of paleontology. It is a non-profit society incorporated under the laws of the State of Iowa.

MAPS is affiliated with the Midwest Federation of Mineralogical and Geological Societies, and with the American Federation of Mineralogical Societies. Membership in MAPS is open to anyone, anywhere who is sincerely interested in fossils and the aims of the Society.

Family membership \$7.00; individual membership \$7.00 ; junior membership \$5.00 (between ages 8 and 16); dealer membership (non voting \$20.00).

MAPS meetings are held on the 1st Saturday of each month (2nd Saturday if inclement weather) October thru May at 2 PM in the Science Building, Augustana College, Rock Island, Illinois.

President: Paul Caponera, 2330 Collins St., Blue Island, IL 60406
 1st Vice President: Cheryl DeRosear, Box 125, Donnellson, IA 52625
 2nd Vice President: Tom Walsh, 501 E. 19th Ave., Coal Valley, IL 61240
 Secretary: Dennis Sievers, 414 E. 9th, Davenport, IA 52803
 Treasurer: Alberta Cray, 1125 J Avenue, NW, Cedar Rapids, IA 52405
 Historian: Lois Rabe, 102 Agnes Street, Port Byron, IL 61275



CYATHOCRINITES

MID-AMERICA PALEONTOLOGY SOCIETY

Madelynne Lillybeck
 MAPS DIGEST Editor
 1039 - 33rd St. Ct.
 Moline, IL 61265

Dated Material - Meeting Notice

First Class Mail



Allyn & Dorris Adams
 612 W. 51st Street
 Davenport, IA. 52806